



US006823181B1

(12) **United States Patent**  
**Kohno et al.**

(10) **Patent No.:** **US 6,823,181 B1**  
(45) **Date of Patent:** **Nov. 23, 2004**

(54) **UNIVERSAL PLATFORM FOR SOFTWARE DEFINED RADIO**

(75) Inventors: **Ryuji Kohno**, Tokyo (JP); **Masayoshi Abe**, Tokyo (JP); **Noboru Sasho**, Kanagawa (JP); **Shinichiro Haruyama**, Kanagawa (JP); **Robert Henry Morelos-Zaragoza**, Tokyo (JP); **Francis Swarts**, Tokyo (JP); **Pieter Van Rooyen**, Tokyo (JP); **Yukitoshi Sanada**, Tokyo (JP); **Lachlan Bruce Michael**, Saitama (JP); **Hamid Amir-Alikhani**, Leonberg (DE); **Veselin Brankovic**, Esslingen (DE)

(73) Assignees: **Sony Corporation**, Tokyo (JP); **Sony International (Europe) GmbH**, Berlin (DE)

(\*) Notice: Subject to any disclaimer, the term of this patent is extended or adjusted under 35 U.S.C. 154(b) by 131 days.

(21) Appl. No.: **10/070,283**

(22) PCT Filed: **Jul. 7, 2000**

(86) PCT No.: **PCT/JP00/04550**

§ 371 (c)(1),  
(2), (4) Date: **Jul. 23, 2002**

(87) PCT Pub. No.: **WO02/05444**

PCT Pub. Date: **Jan. 17, 2002**

(51) **Int. Cl.<sup>7</sup>** ..... **H04B 1/26**

(52) **U.S. Cl.** ..... **455/324; 455/333; 455/323**

(58) **Field of Search** ..... 455/149, 313,  
455/318, 323, 324, 333, 334; 327/65, 76.11,  
600, 647

(56) **References Cited**

**U.S. PATENT DOCUMENTS**

5,079,454 A 1/1992 Benton et al.

**FOREIGN PATENT DOCUMENTS**

EP 0 884 836 A1 \* 12/1998 ..... H03D/3/00  
EP 1 014 562 6/2000

\* cited by examiner

*Primary Examiner*—Lester G. Kincaid

(74) *Attorney, Agent, or Firm*—Frommer Lawrence & Haug LLP; William S. Frommer; Sam S. Lee

(57) **ABSTRACT**

The universal platform for the SDR of the present invention employs the direct conversion approach with the n-port MMIC followed by reconfigurable reprogrammable devices such as DSP's or FPGA's. The universal platform is based on the linear operation of the devices. Thus, the DC offset problem may be solved. It is also possible to support very wide bandwidths compared with conventional I/Q receivers. Therefore, the present universal platform is suitable for multimode and multiband communications.

**27 Claims, 15 Drawing Sheets**

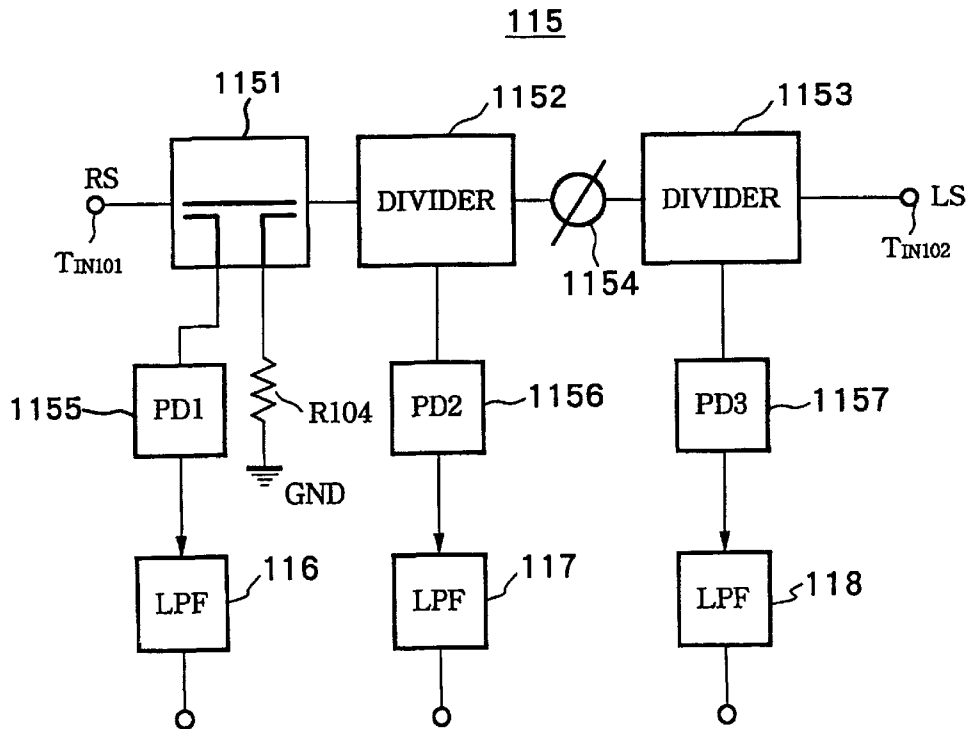
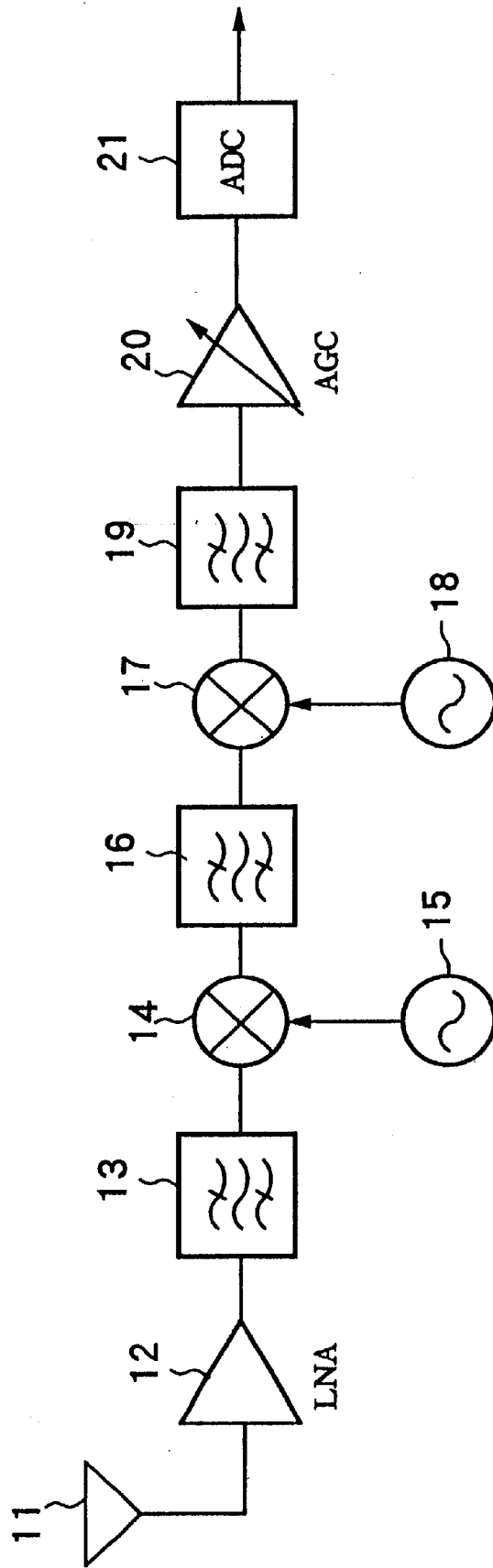


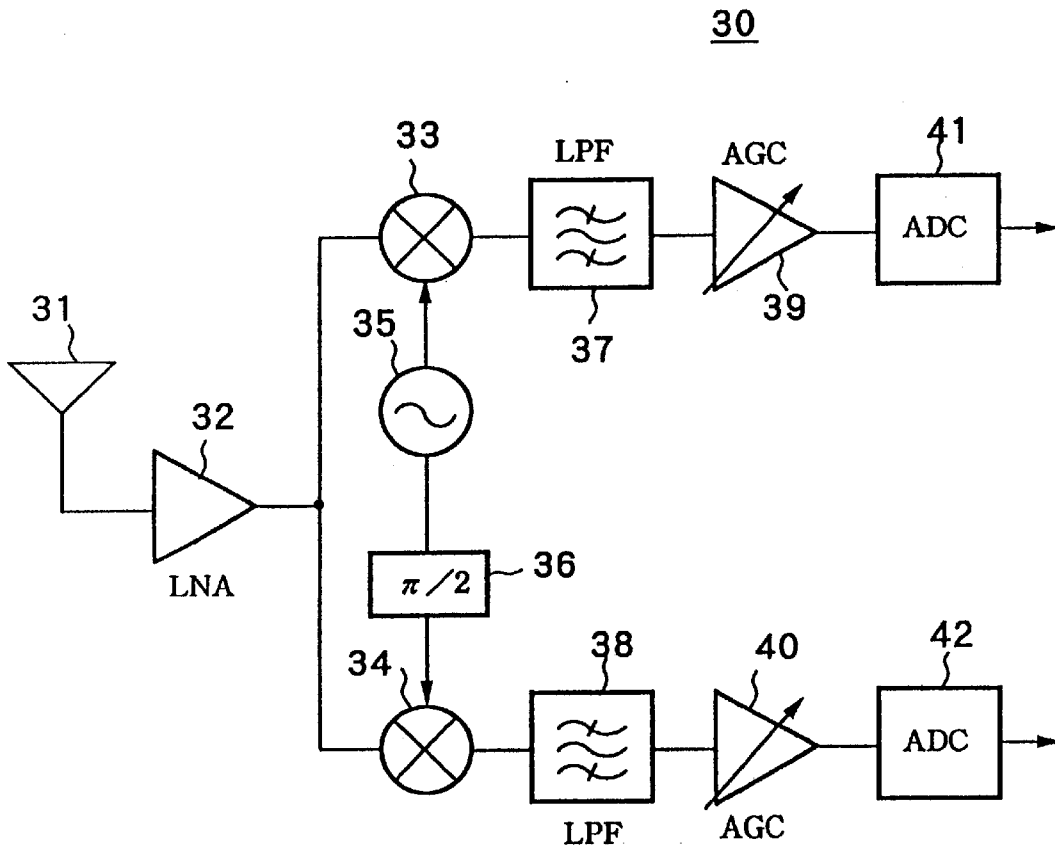
FIG. 1

10



(PRIOR ART)

FIG. 2



(PRIOR ART)

FIG. 3

100

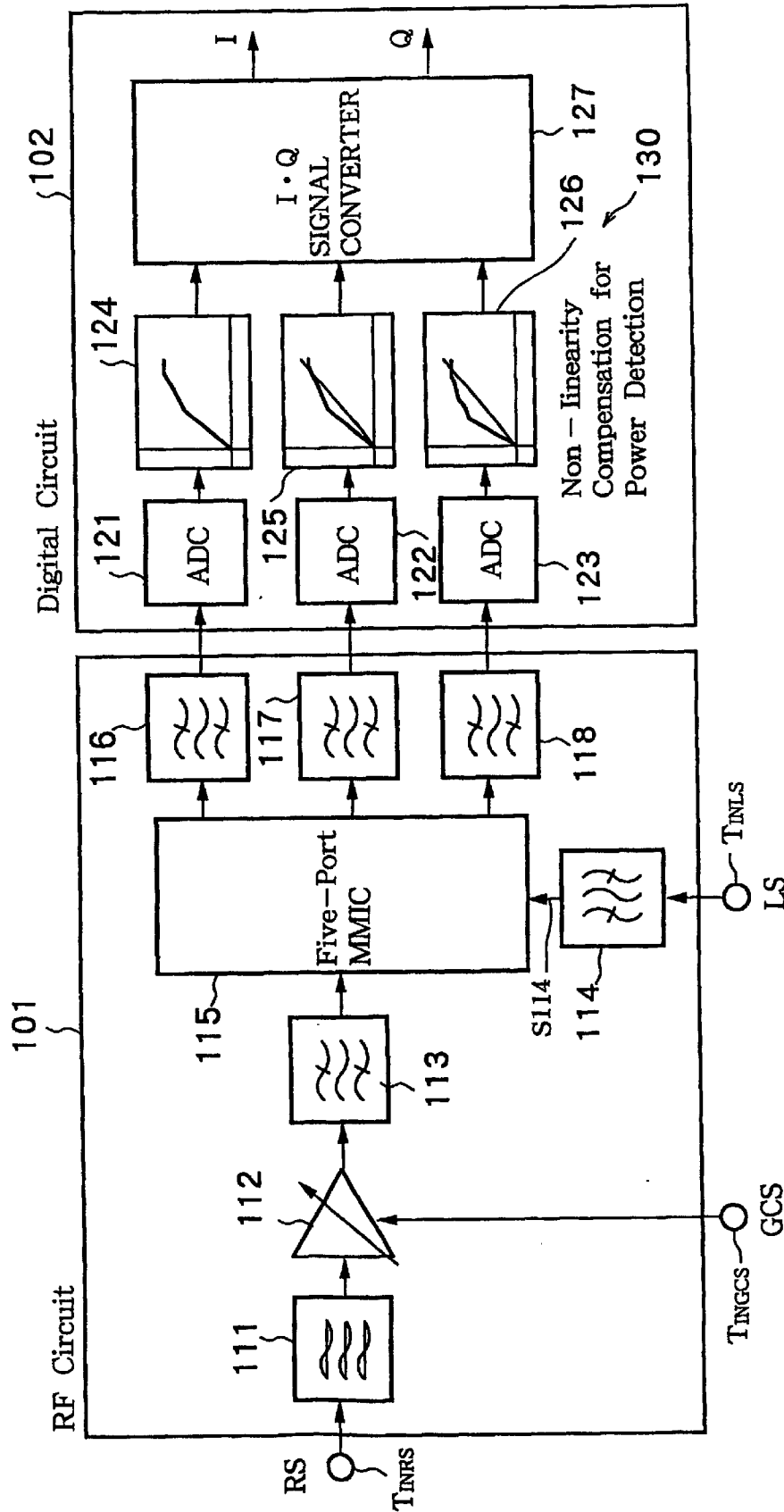


FIG. 4

115

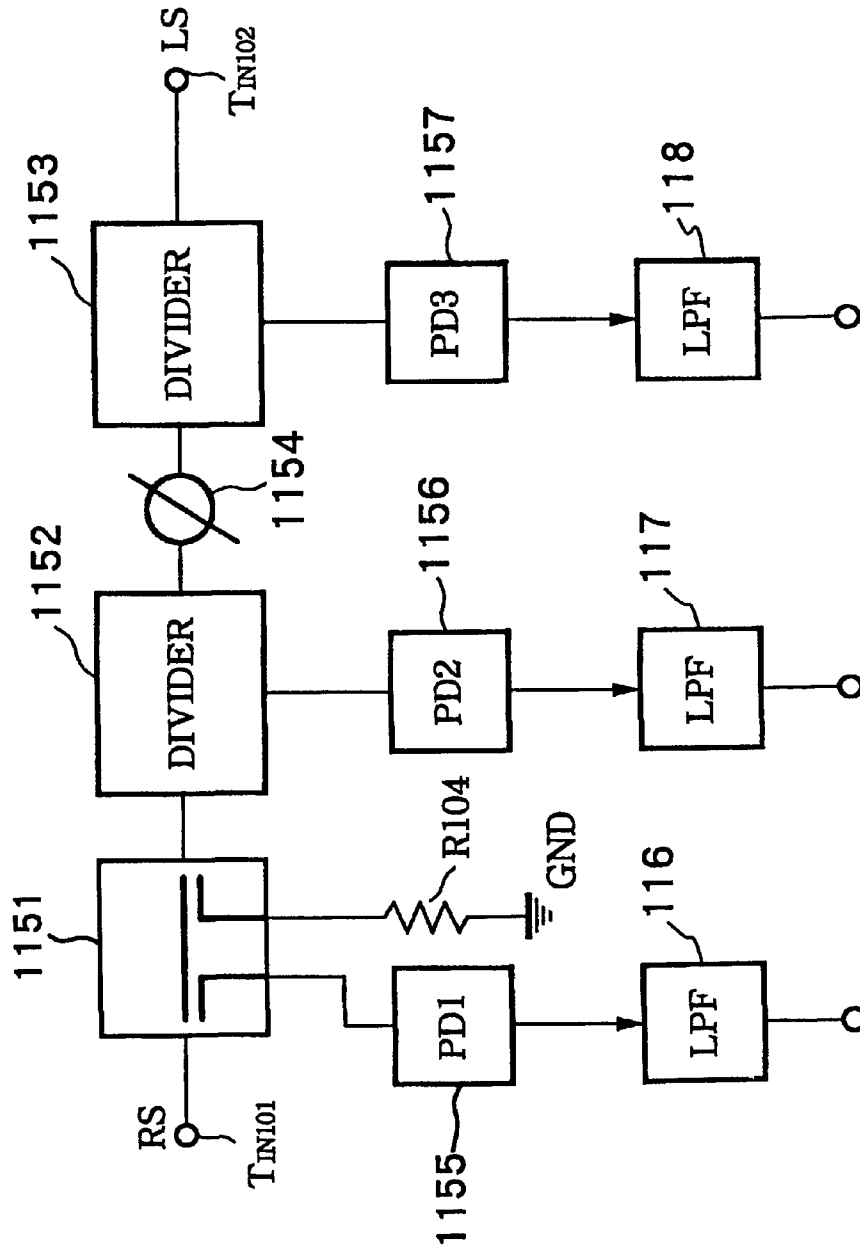


FIG.5

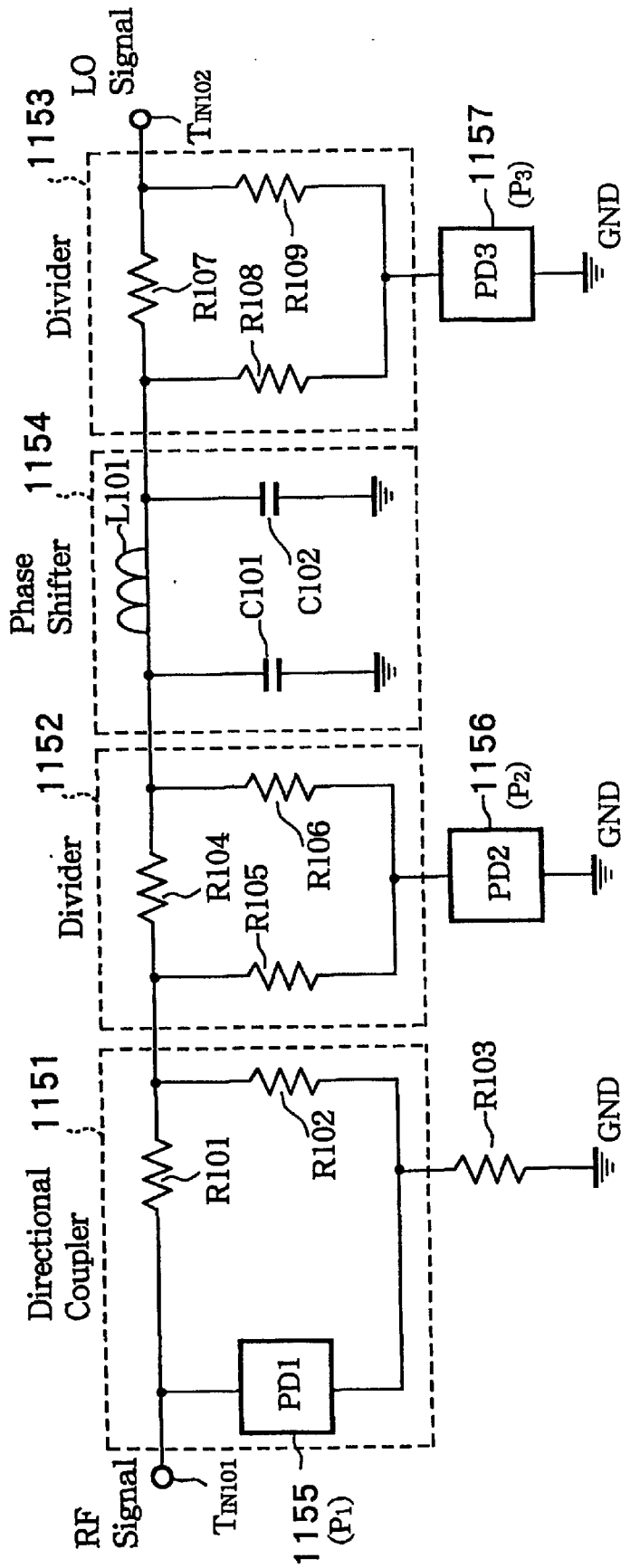
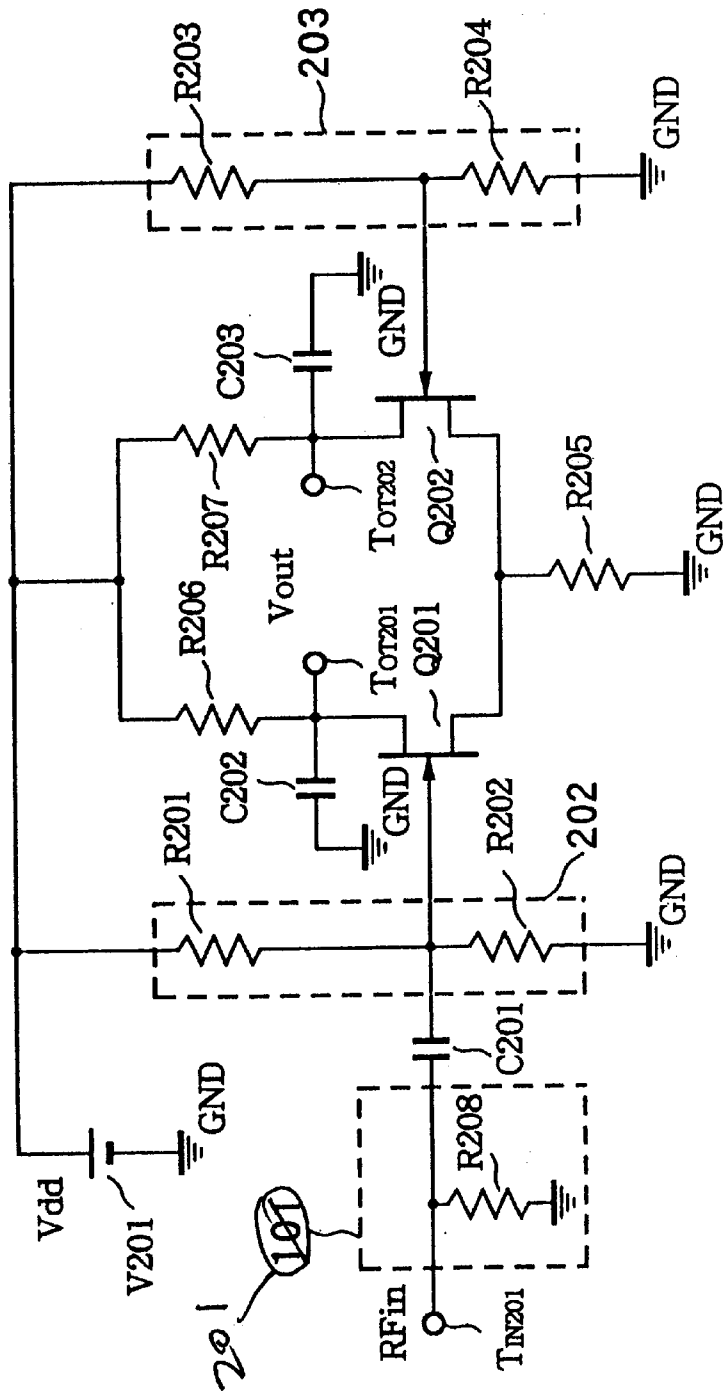


FIG. 6

200



# FIG. 7

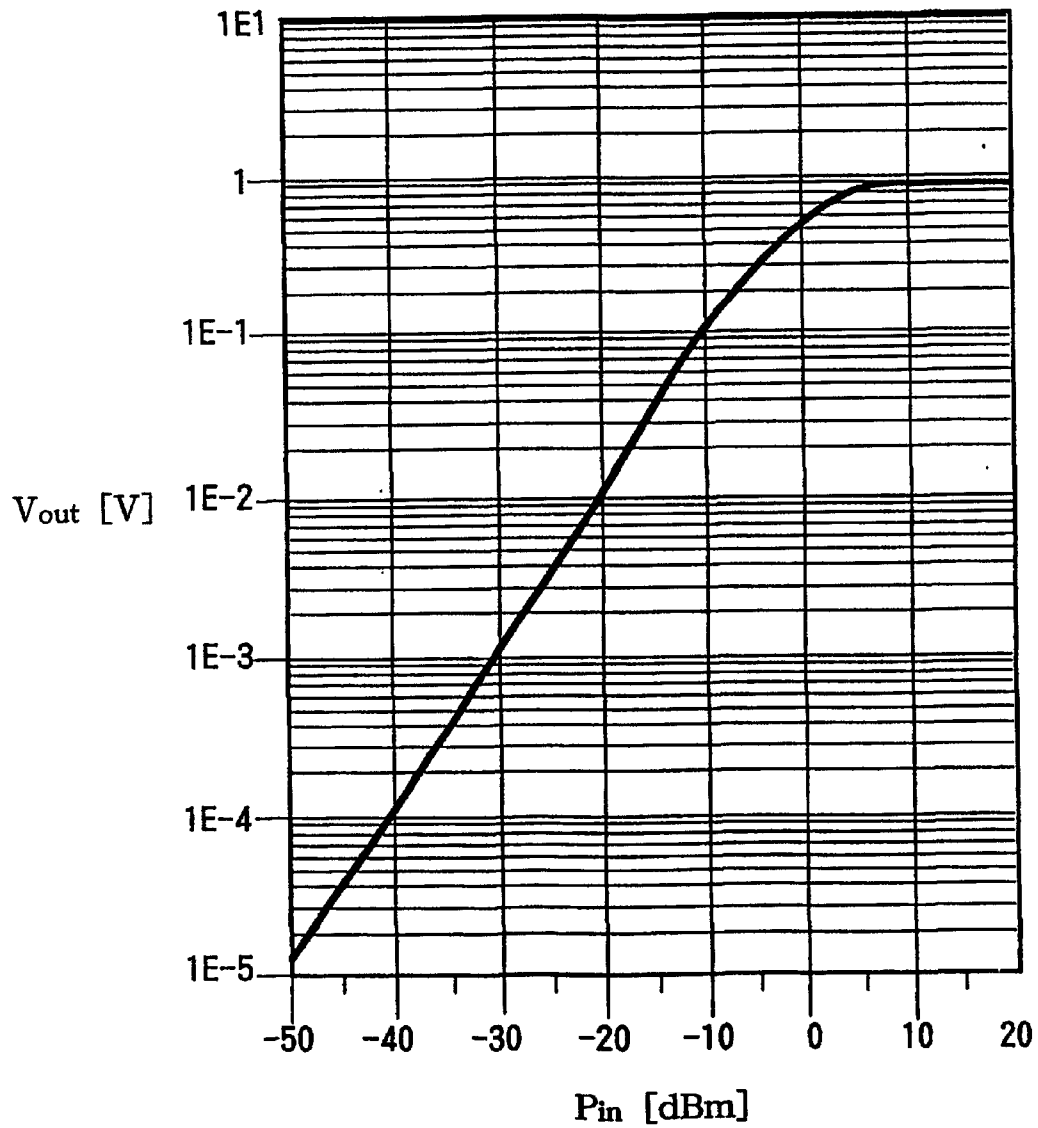


FIG.8

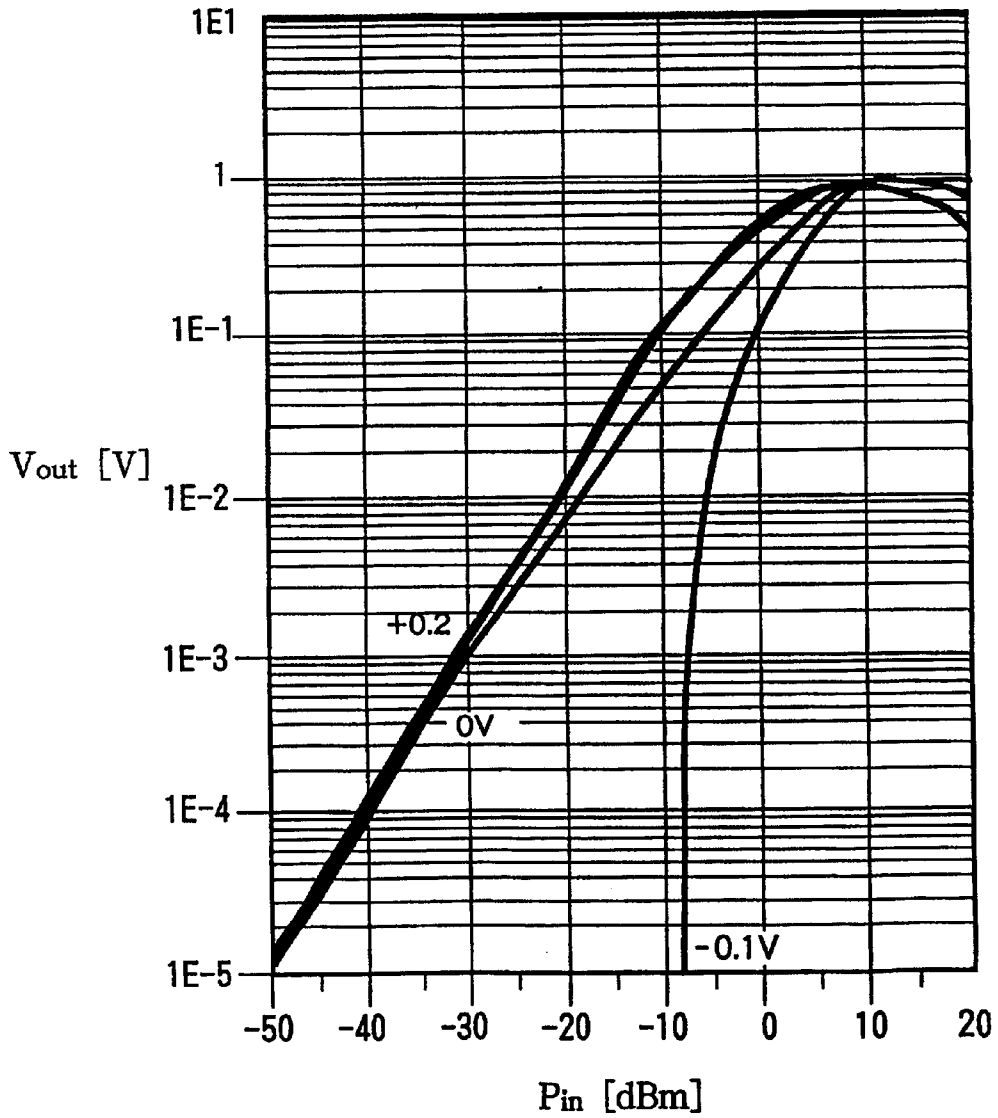


FIG. 9

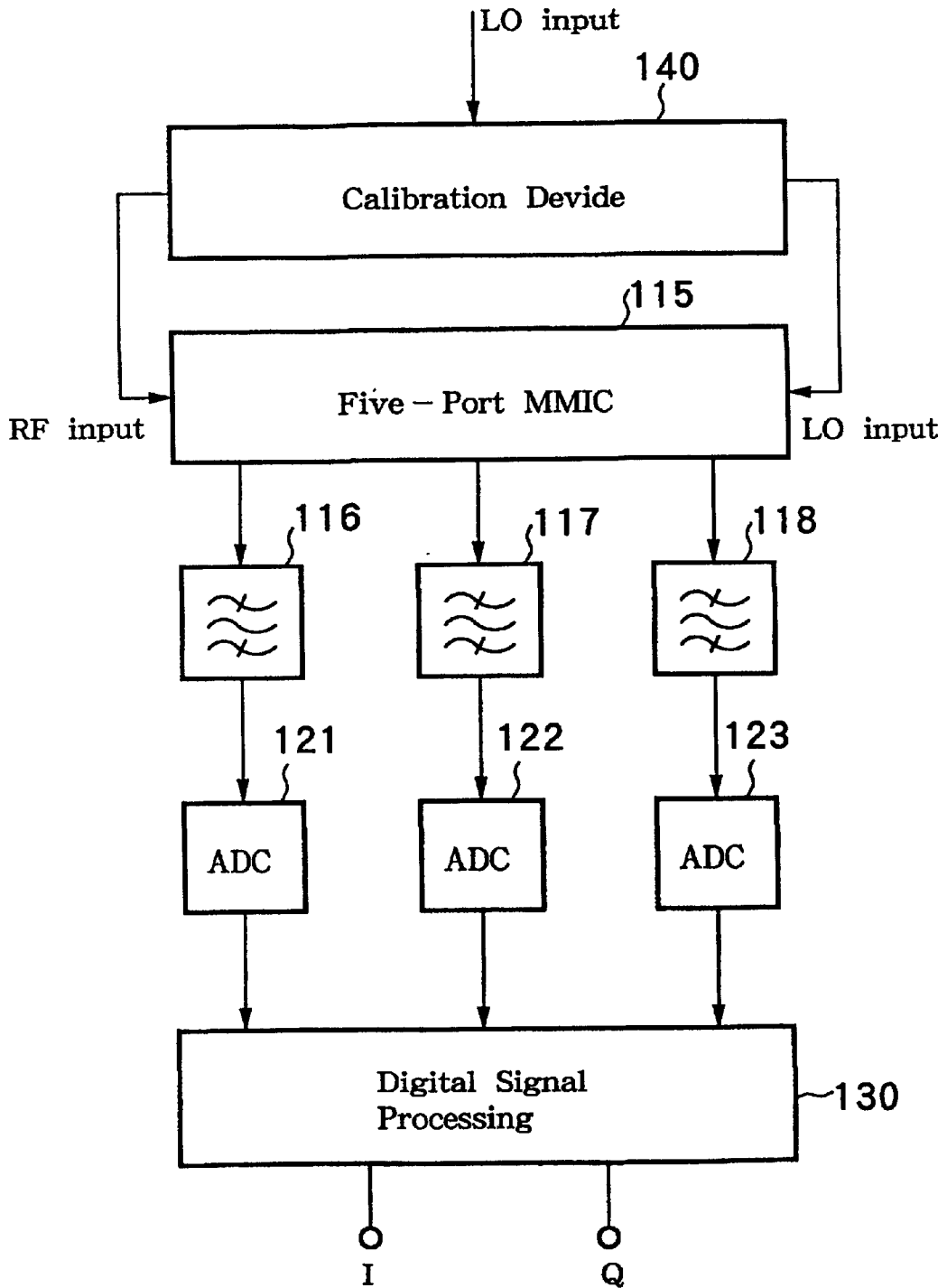


FIG. 10

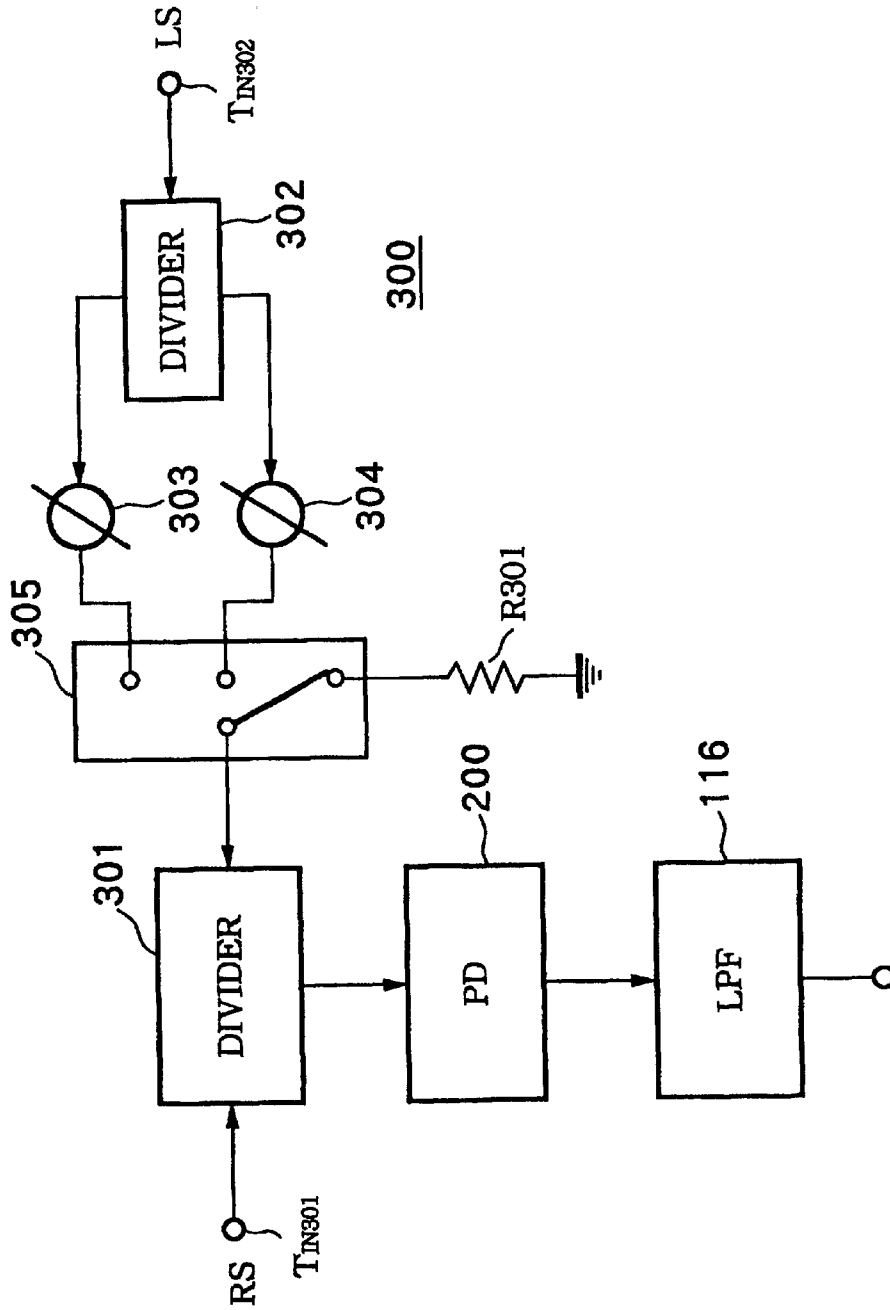


FIG. 11

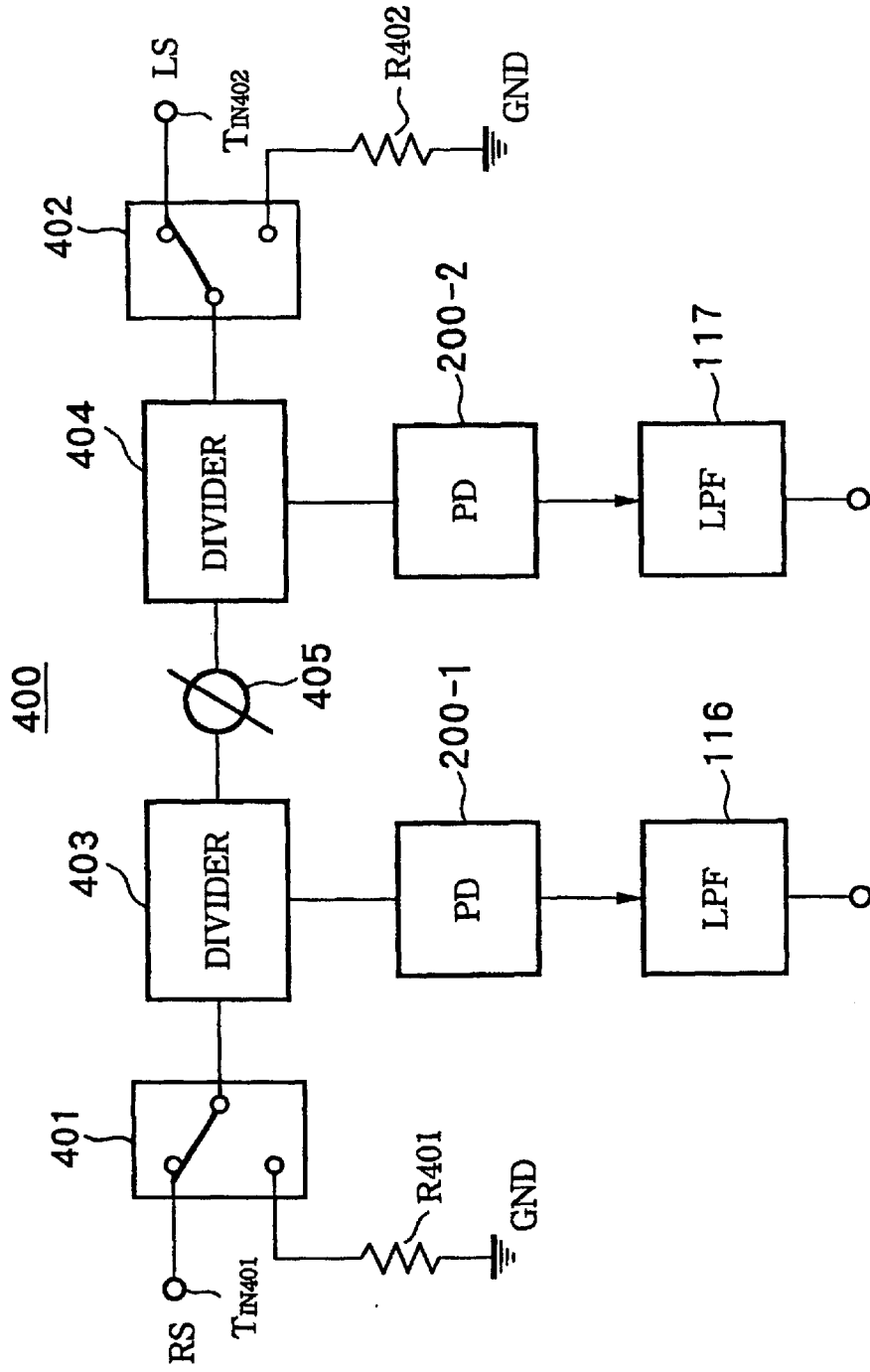


FIG. 12

500

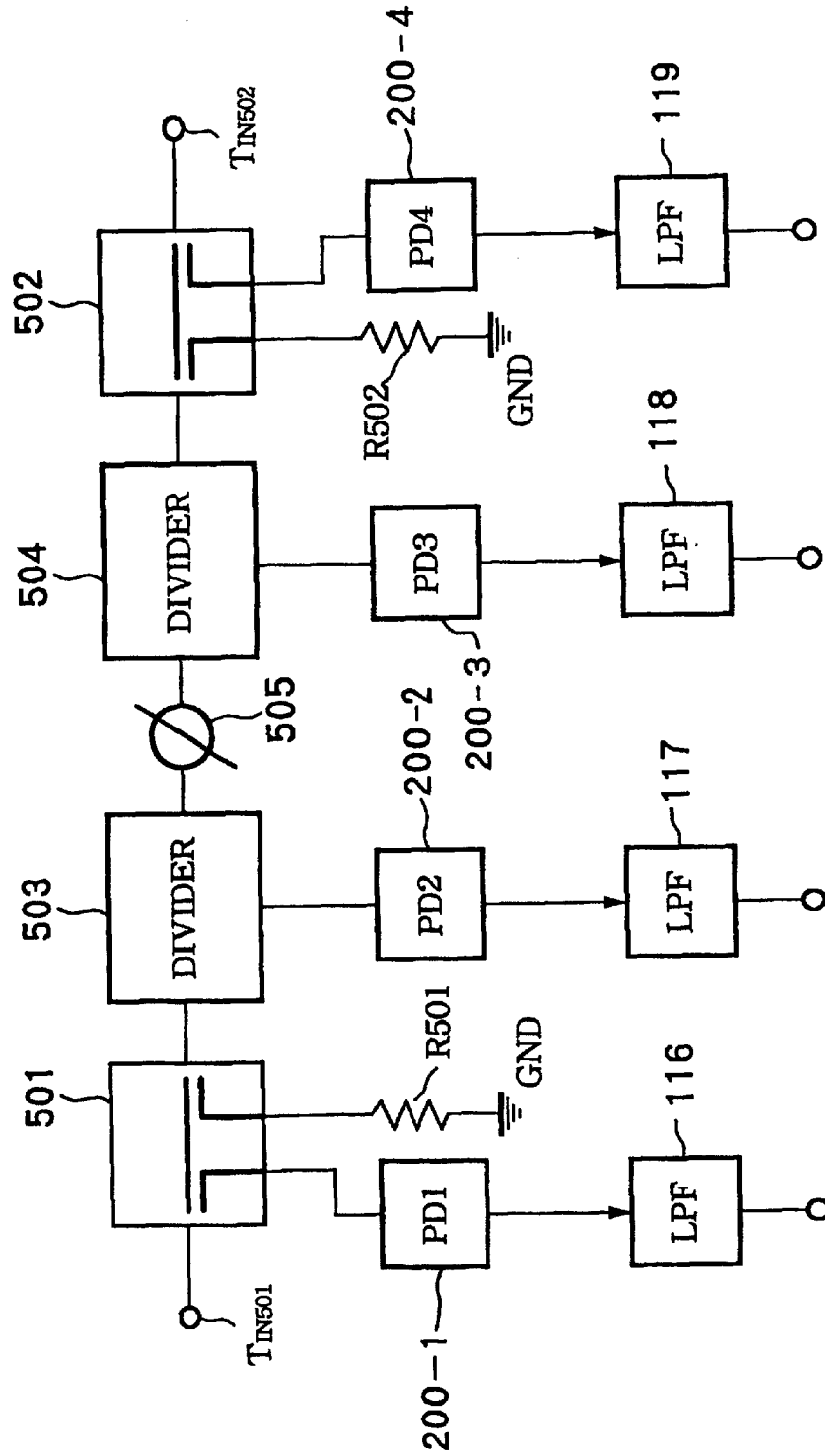


FIG. 13

200A

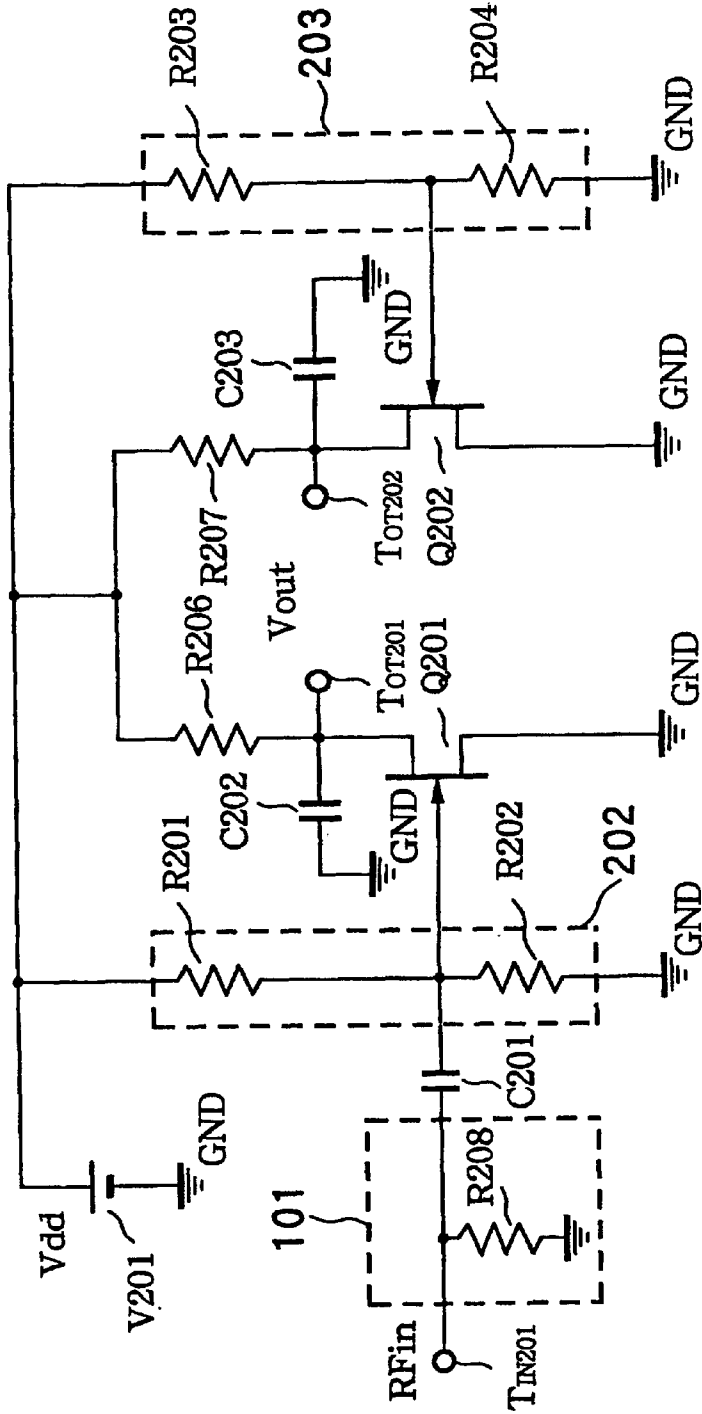


FIG. 14

200B

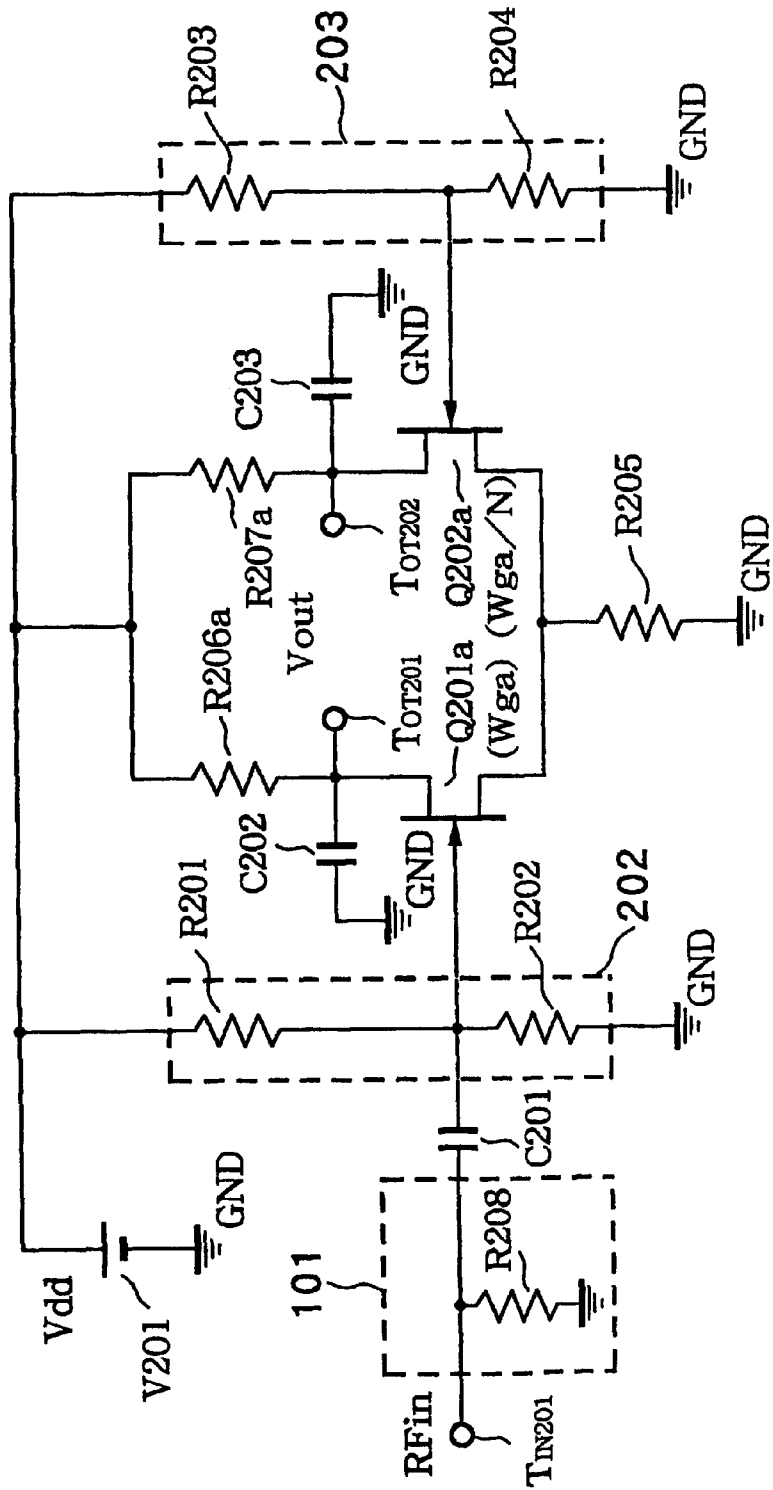
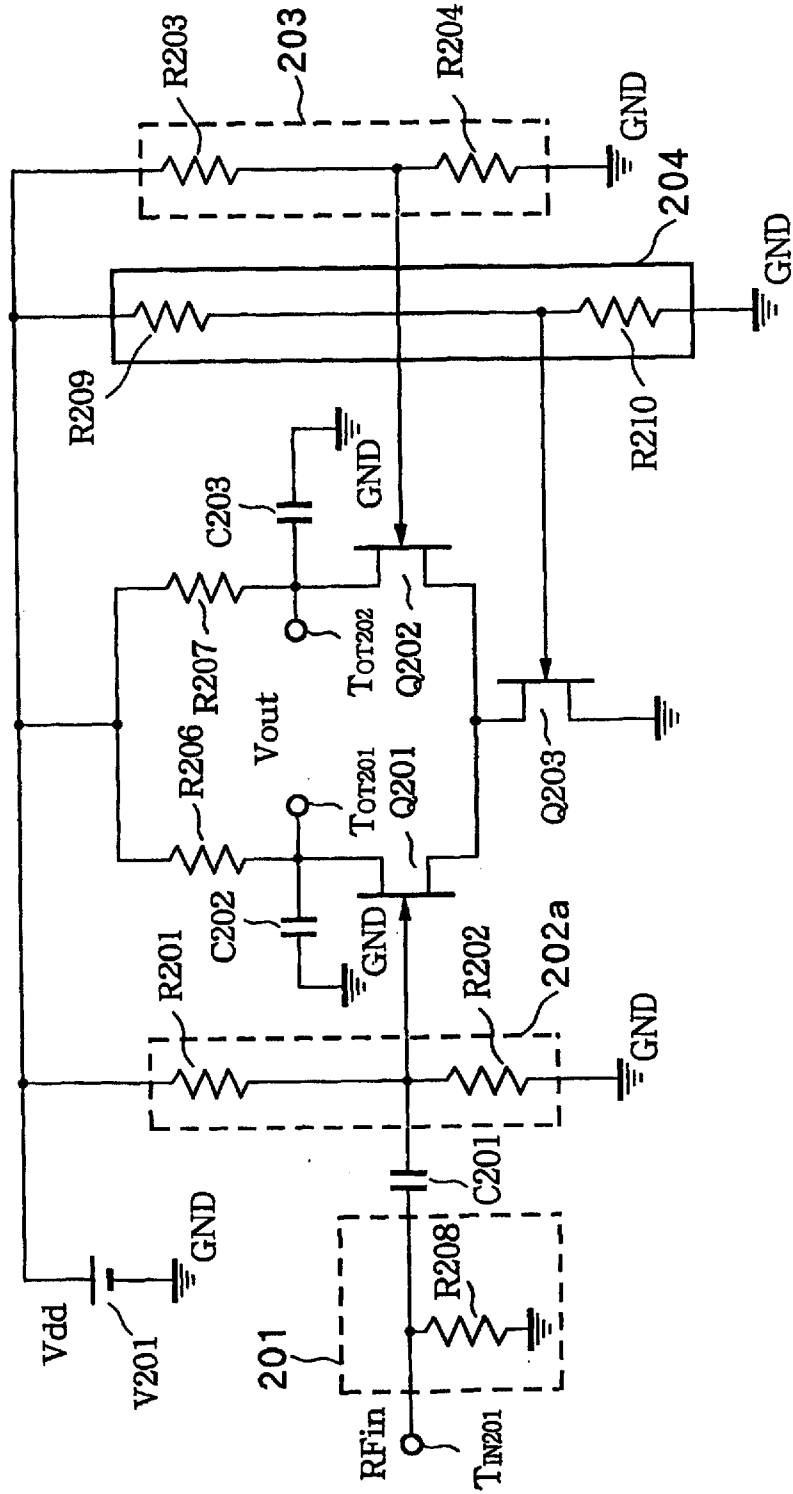


FIG. 15

200C



## UNIVERSAL PLATFORM FOR SOFTWARE DEFINED RADIO

### TECHNICAL FIELD

The present invention relates to a universal platform suitable for software defined radio and capable of handling multiple radio standards.

### BACKGROUND INVENTION

After the first technical paper was presented in 1992, software defined radio (SDR) has been receiving much attention among researchers working on wireless communications (refer to J. Mitola III, D. Chester, S. Haruyama, T. Turetli, and W. Tuttlebee, "Globaliazation of Software Radio," IEEE Communications Magazine, vol.37, no.2, pp.82-83, February 1999, and R. Kohno, "Prespective of Software Radio: Spatial and Temporal Communication Theory Using Adaptive Array Antenna for Mobile Radio Communications", Proceedings on Microwave Workshops and Exhibition (MWE '97), December 1997). There is a conceptual reason and a technical reason behind this popularity (refer to J. Mitola III, "Technical Challenges in the Globalization of Software Radio," IEEE Communications Magazine, vol.37, no.2, pp.84-89, February 1999).

The conceptual reason is that various wireless standards have been established through generations of wireless communication systems. Even in the same generation, several standards have been created in different regions.

As an example, the standardization efforts surrounding IMT2000/UMTS have tried to resolve the dispute over what the third generation standard should entail. Despite all of this, it still seems as if three slightly varying code division multiple access (CDMA) standards will be introduced in the near future.

For wireless local area networks (LAN), not only IEEE standards, but also de facto standards such as Bluetooth have gained wide acceptance among companies all over the world. Thus, a multiband multimode radio system is required to create a comfortable mobile computing environment. The reconfigurability of SDR is the answer to this problem.

The technical reason behind the popularity of the SDR concept is the development of reconfigurable devices for signal processing such as digital signal processors (DSP) and field programmable gate arrays (FPGA). The latest DSP's operate at speeds up to 1.1 GHz and offer performance of nearly 9 billion instructions per second. FPGA's can now provide densities of up to 2 million gates with low power consumption. These numbers are ever improving (refer to M. Cummings and S. Haruyama, "FPGA in the Software Radio," IEEE Communications Magazine, vol.37, no.2, pp.108-112, February 1999, and F. J. Harris, "Configurable Logic for Digital Communications: Some Signal Processing Perspective", IEEE Communications Magazine, vol.37, no.8, pp.107-111, August 1999).

Therefore, the real challenges facing SDR are the RF front-end, which is able to use the reconfigurability of the signal processing devices mentioned above and providing multimode and multiband communications.

In order to realize a multimode multiband SDR, the RF front-end should be able to support a wide range of frequencies and bandwidths. This task may be difficult with conventional RF front-end architectures (H. Tsurumi and Y. Suzuki, "Broadband RF Stage Architecture for Software-

Defined Radio in Handheld Terminal Applications," IEEE Communications Magazine, vol.37, no.2, pp.90-95, February 1999).

FIG. 1 is a block diagram of a conventional heterodyne receiver.

The heterodyne receiver **10** of FIG. 1 comprises a receiving antenna **11**, a low noise amplifier (LNA) **12**, a radio-frequency (RF) filter **13**, an RF mixer **14**, an RP use local oscillator **15**, a first intermediate-frequency (IF) filter **16**, an IF mixer **17**, an IF use local oscillator **18**, a second IF filter, an automatic gain controlled (AGC) amplifier **20**, and an analog-to-digital converter (ADC) **21**.

This architecture requires frequency-dependent passive components such as a dielectric filter **13** in the RF stage and surface acoustic wave (SAW) filter **16** in the first IF stage. A ceramic or crystal filter **19** is also needed in the second IF stage. The center frequencies and bandwidth of these filters **13**, **14**, and **19** are not flexible and not wide enough to support a multiband radio receiver.

Though switched capacitor filter banks and precision direct synthesis may be a choice to achieve wider bandwidths and programmability, they are not applicable to mobile terminals due to their size and weight.

Thus, the candidate for the RF front-end for SDR is the direct conversion (DC) principle.

FIG. 2 is a block diagram of a conventional direct conversion receiver.

The direct conversion receiver **30** of FIG. 2 comprises a receiving antenna **31**, an LNA **32**, RF mixers **33** and **34**, an RP use local oscillator **35**, a  $n/2$  phase shifter **36**, low-pass filters (LPF's) **37** and **38**, AGC amplifiers **39** and **40**, and ADC's **41** and **42**.

In the direct conversion receiver **30** of FIG. 2, the received signal is down-converted directly to baseband by the quadrature mixer. The down-converted in-phase and quadrature (IQ) signals are prefiltered by the anti-aliasing LPF's **37** and **38** with variable cutoff frequency. They are converted to digital signals by IQ ADC's **41** and **42** and fed to the digital stage. The desired signal is selected by the software defined filter with programmable cutoff frequency.

The DC technique inherently has no image response, and the fixed-frequency image rejection filters can be eliminated. Furthermore, the anti-alias LPF can be designed with active, variable-bandwidth filters such as a switched capacitor embedded in an LSI chip.

In the conventional DC technique, the mixer has been used, however, in general it is difficult to design the mixer for a wide bandwidth. Therefore, if the conventional DC technique is applied to the software wireless system, improvement is necessary in point of widening the bandwidth.

Further, in the conventional direct conversion receiver, a sufficiently high local power is necessary in order to make the mixer operate with satisfactory characteristics. This invites an increases of power consumption of the receiver. Especially, when the carrier frequency is high, it is difficult to obtain a lower power consumption and a high local output power.

### DISCLOSURE OF INVENTION

An object of the present invention is to provide a universal platform for software defined radio capable of solving the DC offset problem and supporting very wide bandwidths.

According to the first aspect of the present invention, there is provided a universal platform for software defined

radio, comprising an n (n being an integer of 3 or more)-port receiver including: a first input terminal receiving as input a received signal, a second input terminal receiving as input a local signal, a generating means for generating two signals having a phase difference based on at least one signal between the received signal input from the first input terminal or the local signal input from the second input terminal and including at least one output terminal for outputting the generated signal, and at least one power detector for receiving as input the output signal from the output terminal and detecting the signal level of the input signal; and a converter for converting the output signal of the power detector to a plurality of signal components included in the received signal or the local signal.

According to a second aspect of the present invention, there is provided a universal platform for software defined radio, comprising an n (n being an integer of 3 or more)-port receiver including a first input terminal receiving as input a received signal, a second input terminal receiving as input a local signal, a generating means for generating two signals having a phase difference based on at least one signal between the received signal input from the first input terminal or the local signal input from the second input terminal and including at least one output terminal for outputting the generated signal, and at least one power detector for receiving as input the output signal from the output terminal and detecting the signal level of the input signal; at least one analog-to-digital (A/D) converter for converting the output analog signal from the corresponding power detector to a digital signal, and a digital signal processing part for converting the output signal of the power detector through the A/D converter to a plurality of signal components included in the received signal or the local signal.

In the present invention, the digital signal processing part compensates for the non-linearity of the power detector.

Further, in the present invention, the power detector preferably comprises a first field effect transistor receiving the input signal at its gate, a second field effect transistor with a source connected to a source of the first field effect transistor, a first gate bias supplying circuit for supplying a gate bias voltage to the gate of the first field effect transistor, a second gate bias supplying circuit for supplying a gate bias voltage to a gate of the second field effect transistor, a current source connected to the connecting point of the sources of the first field effect transistor and the second field effect transistor, a drain bias supplying circuit for supplying a drain bias voltage to the drains of the first field effect transistor and the second field effect transistor, a first capacitor connected between the drain of the first field effect transistor and a reference potential, and a second capacitor connected between the drain of the second field effect transistor and the reference potential, and wherein the voltage difference between the drain voltage of the first field effect transistor and the drain voltage of the second field effect transistor is processed as a detection output.

Further, in the present invention, preferably, the first field effect transistor and the second field effect transistor have substantially the same characteristics, the drain bias supplying circuit includes a first drain bias use resistance element connected between the drain of the first field effect transistor and a voltage source and includes a second drain bias use resistance element connected between the drain of the second field effect transistor and a voltage source, a resistance of the first drain bias use resistance element and a resistance of the second drain bias use resistance element are set to substantially equivalent values, and a capacitance of

the first capacitor and a capacitance of the second capacitor are set to substantially equivalent values.

Further, in the present invention, preferably, when a gate width of the first field effect transistor is  $W_{ga}$  and a gate width of the second field effect transistor is  $W_{gb}$ , the ratio  $W_{ga}/W_{gb}$  is set to N, the drain bias supplying circuit includes a first drain bias use resistance element connected between the drain of the first field effect transistor and a voltage source and includes a second drain bias use resistance element connected between the drain of the second field effect transistor and a voltage source, a resistance Ra of the first drain bias use resistance element and a resistance of the second drain bias use resistance Rb element are set so as to satisfy the condition  $Ra/Rb=1/N$ , and a capacitance of the first capacitor and a capacitance of the second capacitor are set to substantially equivalent values.

Further, in the present invention, the power detector preferably alternatively comprises a first field effect transistor receiving the input signal at its gate and with a source connected to a reference potential, a second field effect transistor with a source connected to the reference potential, a first gate bias supplying circuit for supplying a gate bias voltage to the gate of the first field effect transistor, a second gate bias supplying circuit for supplying a gate bias voltage to a gate of the second field effect transistor, a drain bias supplying circuit for supplying a drain bias voltage to the drains of the first field effect transistor and the second field effect transistor, a first capacitor connected between the drain of the first field effect transistor and a reference potential, and a second capacitor connected between the drain of the second field effect transistor and the reference potential, and wherein the voltage difference between the drain voltage of the first field effect transistor and the drain voltage of the second field effect transistor is processed as a detection output.

According to the present invention, for example, an RF signal is received and input to the generating means of the n-port receiver through the first input terminal, while the local signal generated, for example, by a local oscillator is input to the generating means of the n-port receiver through the second input terminal.

In the generating means, two signals having a phase difference based on the received signal or the local signal are generated. The generated signal is output to the power detector from the output terminal (port).

In the power detector, the input signal level is detected. The detected signal is, for example, converted from an analog to digital format and fed to the digital signal processing part.

In the digital signal processing part, the converted digital signal of the power detector is converted to a plurality of signal components included in the received signal or the local signal.

#### BRIEF DESCRIPTION OF DRAWINGS

These and other objects and features of the present invention will become clearer from the following description of the preferred embodiments given with reference to the accompanying figures, in which:

FIG. 1 is a block diagram of a conventional heterodyne receiver;

FIG. 2 is a block diagram of a conventional direct conversion receiver;

FIG. 3 is a block diagram of an embodiment of a universal platform for SDR according to the present invention;

5

FIG. 4 is a block diagram of a five-port MMIC according to the present invention;

FIG. 5 is a view of a concrete structure except the power detectors of the five-port MMIC of FIG. 4;

FIG. 6 is a circuit diagram of an example of the power detector according to the present invention;

FIG. 7 is a view of an example of the detection characteristic of the power detector of FIG. 6;

FIG. 8 is a view of the detection characteristic of the power detector of FIG. 6 when the gate bias voltages are adopted as parameters;

FIG. 9 is a view of the calibration procedure and device according to the present embodiment;

FIG. 10 is a view of an example of the configuration of a three-port MMIC according to the present invention;

FIG. 11 is a view of an example of the configuration of a four-port MMIC according to the present invention;

FIG. 12 is a view of an example of the configuration of a six-port MMIC according to the present invention;

FIG. 13 is a view of another example of the configuration of the power detector according to the present invention;

FIG. 14 is a view of another example of the configuration of the power detector according to the present invention; and

FIG. 15 is a view of another example of the configuration of the power detector according to the present invention.

#### BEST MODE FOR CARRYING OUT THE INVENTION

Below, the best modes of the universal platform for SDR (Software Defined Radio) will be described in detail with reference to the accompanying drawings.

FIG. 3 is a block diagram of an embodiment of a universal platform for SDR according to the present invention.

The universal platform 100 comprises, as shown in FIG. 3, an RF circuit 101 and a digital circuit 102.

The RF circuit 101 is configured by a first pre-select filter 111 constituted by, for example, a band pass filter (BPF), a gain controlled LNA (low noise amplifier) 112, a second pre-select filter 113 constituted by, for example, an BPF (band-pass filter), a local filter 114 constituted by, for example, the LPP, an n (in this embodiment, n=5)-port direct conversion receiver MMIC (Monolithic Microwave Integrated Circuit) 115, and LPF's 116, 117, and 118.

Further, the digital circuit 102 is configured by ADC's (Analog-to-Digital Converters) 121, 122, and 123, non-linearity compensation circuits 124, 125, and 126, and an n-port IQ signal converter 127.

The five-port MMIC 115 combines two input signals, which are a received software defined radio (SDR) signal RS and a local signal LS, in linear combinations and outputs three signals, wherein the analog power values of the output signals are detected by power detectors PD1, PD2, and PD3.

Next, the internal configuration of the five-port MMIC 115 will be explained with reference to FIGS. 4 and 5.

FIG. 4 is a block diagram of the five-port MMIC according to the present invention, while FIG. 5 is a view of a concrete structure except the power detectors of the five-port MMIC of FIG. 4.

The five-port MMIC 115 comprises, as shown in FIGS. 4 and 5, a directional coupler 1151 constituted by resistors R101 to R103, a divider 1152 constituted by resistors R104 to R106, a divider 1153 constituted by resistors R107 to R109, a phase shifter 1154 constituted by capacitors C101

6

and C102 and an inductor L101, and power detectors 1155 (PD1), 1156 (PD2), and 1157 (PD2).

Here, the five ports are comprised of a received signal RS use input terminal (first input terminal)  $T_{IN101}$ , a local signal LS use input terminal (second input terminal)  $T_{IN102}$ , an output terminal (port) of the directional coupler 1151 to the power detector 1155, an output port of the divider 1152 to the power detector 1156, and an output port of the divider 1153 to the power detector 1157.

In the five-port MMIC 115, the received signal RS input to the input terminal  $T_{IN101}$  is input to the divider 1152 and a part of the same is input to the power detector 1155 by the directional coupler 1151.

The received signal input to the divider 1152 is divided to two signals. One divided signal is input to the power detector 1156, while the other divided signal is input to the phase shifter 1154.

In the phase shifter 1154, the received signal from the divider 1152 is shifted in phase by  $\theta$ . The signal shifted in phase is input to the divider 1153, and the input signal is divided to two signals. One divided signal is input to the power detector 1157, while the other divided signal is supplied to the input terminal  $T_{IN102}$ .

Alternatively, the local signal input to the input terminal  $T_{IN102}$  is input to the divider 1153 and then the local signal is divided to two signals by the divider 1153. One divided signal is input to the power detector 1157, while the other divided signal is input to the phase shifter 1154.

In the phase shifter 1154, the local signal from the divider 1153 is shifted in phase by  $\theta$ . The signal shifted in phase is input to the divider 1152, and the input signal is divided to two signals. One divided signal is input to the power detector 1156, while the other divided signal is input to the directional coupler 1151.

As explained above, the power detector 1155 receives the received signal RS. In the power detector 1155, the amplitude component of the supplied signal is detected, and the detected amplitude component is supplied to the LPF 116.

The power detector 1156 receives the received signal and the local signal shifted in phase by  $\theta$ . In the power detector 1156, the amplitude components of the supplied signals are detected, and the detected amplitude components are supplied to the LPF 117.

The power detector 1157 receives the local signal and the received signal shifted in phase by  $\theta$ . In the power detector 1157, amplitude components of the supplied signals are detected and the detected amplitude components are supplied to the LPF 118.

Next, the concrete configuration of the power detector capable of being applied to the five-port MMIC of FIGS. 4 and 5 will be explained.

FIG. 6 is a circuit diagram of an example of the power detector according to the present invention.

The power detector 200 (PD<sub>1</sub>, PD<sub>2</sub>, PD<sub>3</sub>) comprises, as shown in FIG. 6, field effect transistors (hereinafter, referred to as "transistors") Q201 and Q202 as active elements, resistors R201, R202, R203, R204, R205, R206, and R207, a power source V201, a matching circuit (MTR) 201, and gate bias supplying circuits 202 and 203.

The matching circuit 201 is constituted by a resistor R208. The resistor R208 is connected between the connection point of an input terminal  $T_{IN201}$  and one electrode of the DC cutoff use capacitor C201 and the ground potential GND.

The gate bias supplying circuit 202 is constituted by resistors R201 and R202 connected in series between the

power source **V201** and the ground potential GND. The connection point of the resistors **R201** and **R202** is connected to another electrode of the capacitor **C201** and a gate of the transistor **Q201**.

The gate bias supplying circuit **202** having the configuration described above generates a bias voltage of the transistor **Q201** by dividing the voltage Vdd of the power source **V201** by the resistors **R201** and **R202**.

The gate bias supplying circuit **203** is constituted by resistors **R203** and **R204** connected in series between the power source **V201** and the ground potential GND. The connection point of the resistors **R203** and **R204** is connected to a gate of the transistor **Q202**.

The gate bias supply circuit **203** having the configuration described above generates a bias voltage of the transistor **Q202** by dividing the voltage Vdd of the power source **V201** by resistors **R203** and **R204**.

A source of the transistor **Q201** and a source of the transistor **Q202** are connected, and the connection point of the source is connected to the ground potential GND through the resistor **R205** (as a current source).

A drain of the transistor **Q201** is connected to one terminal of the resistor **R206**, one electrode of the capacitor **C202**, and a first output terminal  $T_{OT201}$ . Another terminal of the resistor **R206** is connected to the power source **V201** of the voltage Vdd. Another electrode of the capacitor **C202** is connected to the ground potential GND.

A drain of the transistor **Q202** is connected to one terminal of the resistor **R207**, one electrode of the capacitor **C203**, and a second output terminal  $T_{OT202}$ . Another terminal of the resistor **R207** is connected to the power source **V201**. Another electrode of the capacitor **C203** is connected to the ground potential GND.

A drain bias voltage Vdd is supplied to the drain of the transistor **Q201** through the resistor **R206** and to the drain of the transistor **Q202** through the resistor **R207**.

In the power detector **200** constituted by the above relationship of connection, the transistors **Q201** and **Q202** serving as active elements, have, for example, substantially equivalent structures so as to have substantially equivalent characteristics.

Accordingly, in the power detector **200**, a resistance Rga1 of the resistor **R201** and a resistance Rgb1 of the resistor **R202** of the gate bias supplying circuit **202** and a resistance Rga2 of the resistor **R203** and a resistance Rgb2 of the resistor **R204** of the gate bias supplying circuit **203** satisfy the conditions  $Rga1=Rga2$  and  $Rgb1=Rgb2$  so as to make the gate bias voltages of the transistors **R201** and **R202** as equal as possible.

Further, a resistance Ra of the resistor **R206** connected to the drain of the transistor **Q201** and a resistance Rb of the resistor **R207** connected to the drain of the transistor **Q202** satisfy the condition  $Ra=Rb$ .

Similarly, it is to be desired that a capacitance Couta of the capacitor **C202** and a capacitance Coutb of the capacitor **C203** satisfy the condition  $Couta=Coutb$ . The capacitances Couta and Coutb are set to values large enough so that the impedance becomes substantially zero ohm at the higher frequency including an input frequency fin of the input high-frequency signal.

Next, the operation of the power detector having the above configuration will be explained.

The high-frequency Rfin input to the input terminal  $T_{IN201}$  is supplied to the gate of the transistor **Q201** through the matching circuit **201** and the DC cutoff use capacitor **C201**.

At this time, the gate bias voltage generated by the gate bias supplying circuit **202** is supplied to the gate of the transistor **Q201**. Similarly, the gate bias voltage generated by the gate bias supply circuit **203** is supplied to the gate of the transistor **Q202**.

Further, the drain bias voltage is supplied to the drain of the transistor **Q201** through the resistor **R206**, and supplied to the drain of the transistor **Q202** through the resistor **R207**.

In this state, since the coupling capacitor **C202** having the large enough value is connected between the drain of the transistor **Q201** and the ground potential GND, and the coupling capacitor **C203** having the large enough value is connected between the drain of the transistor **Q202** and the ground potential GND, the drains of the transistors **Q201** and **Q202** become stable states in the high-frequency.

As the result, the difference of voltage between the drain voltage of the transistor **Q201** at the first output terminal  $T_{OT201}$ , and the drain voltage of the transistor **Q202** at the second output terminal  $T_{OT202}$  is supplied as the detected signal Vout to the later processing circuit, for example, LPF.

Below, the detection characteristic of the power detector of FIG. 6 will be considered with reference to FIGS. 7 and 8.

FIG. 7 is a view of an example of the detection characteristic of the power detector of FIG. 6.

In FIG. 7, the abscissa indicates the input high-frequency power Pin, and the ordinate indicates the output detected voltage Vout. The frequency of the input high-frequency signal is 5.5 GHz.

As will be understood from FIG. 7, the power detector of FIG. 6 has a comparatively good linearity.

FIG. 8 is a view of the detection characteristic of the power detector of FIG. 6 when the gate bias voltages are adopted as parameters.

In FIG. 8, the abscissa indicates the input high-frequency power Pin, and the ordinate indicates the output detected voltage Vout.

As will be understood from FIG. 8, the change of the Pin versus Vout characteristic is very small with respect to the change of the gate bias.

Namely, almost no DC offset occurs in the power detector of FIG. 6.

Next, the operation of the universal platform of FIG. 3 will be explained.

A modulated RF signal is received by a not illustrated antenna and input to the RF circuit **101** via the input terminal  $T_{INRS}$ .

In the RF circuit, the received signal RS is passed through the first pre-select filter **111** and supplied to the gain controlled LNA **112**. The gain of the LNA **112** is controlled by a gain control signal GCS supplied from a not illustrated control circuit through an input terminal  $T_{INGCS}$ . The output signal of the LNA **112** is passed through the second pre-select filter **113** and supplied to the first input terminal  $T_{IN101}$  of the five-port MMIC **115**. The local signal LS generated and controlled in gain by a not illustrated local oscillator (LO) is supplied through the input terminal  $T_{INLS}$  and the local filter **114**.

In the five-port MMIC **115**, two input signals RS and LS are combined in linear combinations. As a result, three signals are output. The analog power values of the output three signals are detected by the power detectors **1155** ( $PD_1$ ), **1156** ( $PD_2$ ), and **1157** ( $PD_3$ ).

The outputs of the power detectors **1155**, **1156**, and **1157**, as shown in FIG. 3, are passed through the LPF's **116**, **117**,

and **118** and supplied to the A/D converters **121**, **122**, and **123**. In the A/D converters **121**, **122**, and **123**, the supplied signals are converted from the analog to digital format and fed to the digital signal processing part **130** constituted by the non-linearity compensation circuits **124**, **125**, and **126** and the n-port IQ signal converter **127**.

In the digital signal processing part **130**, the non-linearities of the power detectors are compensated for by the non-linearity compensation circuit **124**, **125**, and **126**, and the results supplied to the IQ signal converter **127**.

In IQ signal converter **127**, the in-phase (I) and the quadrature (Q) values of the signal are calculated from the three output voltages of the power detectors by means of the following equations:

$$I = -\frac{K_{21}K_{32} + K_{22}K_{31}}{4K_{21}K_{31}\cos\theta} - \frac{K_{21}K_{32} + K_{22}K_{31}}{4K_{11}^2K_{22}K_{32}\cos\theta} \frac{P_1}{R_0P_{10}} + \frac{1}{4K_{21}K_{22}\cos\theta} \frac{P_2}{R_0P_{10}} + \frac{1}{4K_{31}K_{32}\cos\theta} \frac{P_3}{R_0P_{10}} = h_{10} + h_{11}P_1 + h_{12}P_2 + h_{13}P_3 \quad (1)$$

$$Q = -\frac{K_{21}K_{32} - K_{22}K_{31}}{4K_{21}K_{31}\sin\theta} + \frac{K_{21}K_{32} - K_{22}K_{31}}{4K_{11}^2K_{22}K_{32}\sin\theta} \frac{P_1}{R_0P_{10}} - \frac{1}{4K_{21}K_{22}\sin\theta} \frac{P_2}{R_0P_{10}} + \frac{1}{4K_{31}K_{32}\sin\theta} \frac{P_3}{R_0P_{10}} \quad (2)$$

$$= h_{20} + h_{21}P_1 + h_{22}P_2 + h_{23}P_3 \quad (3)$$

$$= h_{Q0} + h_{Q1}P_1 + h_{Q2}P_2 + h_{Q3}P_3 \quad (4)$$

where  $K_{ij}$  is the voltage transfer coefficient of the five-port junction,  $i$  is the output port of each power detector **1155**, **1156** and **1157**,  $j=1$  is the received signal port,  $j=2$  is the local signal port,  $e$  is the phase shift value of the phase shifter **1154**,  $P_i$  is the output voltage of each power detector **1155**, **1156**, and **1157**,  $P_{LO}$  is the local oscillator (LO) signal power, and  $R_o$  is a coefficient depending on the power detector load resistance of the LO.

The coefficients  $h_{1i}$  and  $h_{Q_i}$  can be calculated directly through a simple calibration procedure. Thus, influences like mismatch of the power detectors and isolation amplifier, gain and resistor tolerances, inaccurate assessment of phase shifts, and LO level fluctuations may be directly considered and calibrated. A single calibration procedure is sufficient if influences due to temperature drifts may be neglected. The remaining difficulty is to take into account the non-linear behavior of the power detectors. Here, the non-linearity is compensated for by means of the digital signal processing.

FIG. 9 is a view of the calibration procedure and device according to the present embodiment. With four known signals, I(1), Q(1), I(2), Q(2), I(3), Q(3), and I(4), Q(4), created by the calibration device, the following equations are derived:

$$I(1)=h_{10}+h_{11}P_1(1)+h_{12}P_2(1)+h_{13}P_3(1) \quad (5)$$

$$Q(1)=h_{10}+h_{Q1}P_1(1)+h_{Q2}P_2(1)+h_{Q3}P_3(1) \quad (6)$$

$$I(2)=h_{10}+h_{11}P_1(2)+h_{12}P_2(2)+h_{13}P_3(2) \quad (7)$$

$$Q(2)=h_{Q0}+h_{Q1}P_1(2)+h_{Q2}P_2(2)+h_{Q3}P_3(2) \quad (8)$$

$$I(3)=h_{10}+h_{11}P_1(3)+h_{12}P_2(3)+h_{13}P_3(3) \quad (9)$$

$$Q(3)=h_{Q0}+h_{Q1}P_1(3)+h_{Q2}P_2(3)+h_{Q3}P_3(3) \quad (10)$$

$$I(4)=h_{10}+h_{11}P_1(4)+h_{12}P_2(4)+h_{13}P_3(4) \quad (11)$$

$$Q(4)=h_{Q0}+h_{Q1}P_1(4)+h_{Q2}P_2(4)+h_{Q3}P_3(4) \quad (12)$$

From these equations, the coefficients  $h_{1i}$  and  $h_{Q_i}$  can be determined. The calibration device **140** can be comprised of four switches, one attenuator, and two phase shifters.

As explained above, according to the present embodiment, the universal platform for the SDR employs the direct conversion approach with the five-port MMIC **115** followed by reconfigurable reprogrammable devices such as DSP's or FPGA's. The present universal platform is based on the linear operation of the devices. Thus, the DC offset problem may be solved. It is also possible to support very wide bandwidths compared with conventional I/Q receivers. Therefore, the present universal platform is suitable for multimode and multiband communications.

Especially, the five-port MMIC serving as the receiver is based on the linear operation of the device, and related non-linear effects may be omitted. The power level of the local oscillator (LO) is much smaller compared to the classical approach. Therefore, the DC offset problem may be overcome. The other advantage is that the phase shifter in the multi-port may take any values, theoretically between 0 and 90 degrees, excluding boundary values. This is an important issue considering the fact that the conventional I/Q demodulator requires a 90 degree phase shifter and phase shifters are usually linear, frequency dependent devices. Thus, the present DC receiver is able to support a wider bandwidth compared with conventional I/Q receivers.

Note that in the present embodiment, the n-port MMIC was explained based on an example of a five-port MMIC, however, the present invention is not limited to this. Needless to say the present invention can be applied to other types of MMIC such as a three-port MMIC, a four-port MMIC, and a six-port MMIC (for example, refer to WO 99/33166 (PCT/EP98/08329)).

Below, the configuration of the three-port MMIC, the four-port MMIC, and the six-port MMIC will be explained with reference to FIGS. 10, 11, and 12.

FIG. 10 is a view of an example of the configuration of the three-port MMIC according to the present invention.

The three-port MMIC **300** comprises, as shown in FIG. 10, one power detector **200** having, for example, the same structure as FIG. 6, a received signal RS use input terminal  $T_{IN301}$ , a local signal LS use input terminal  $T_{IN302}$ , dividers **301** and **302**, phase shifters **303** and **304**, and a switching circuit **305**.

In this case, only one LPF **116** is arranged at a later stage of the three-port MMIC **300**.

Here, the three ports are comprised of the received signal RS use input terminal  $T_{IN301}$ , the local signal LS use input terminal  $T_{IN302}$ , and an output port of the divider **301** to the power detector **200**.

In the three-port MMIC **300**, the received signal RS input to the input terminal  $T_{IN301}$  is input to the divider **301**. In the divider **301**, the input signal is divided to two signals, and one divided signal is supplied to the power detector **200**.

Alternatively, the local signal input to the input terminal  $T_{IN301}$  is input to the divider **302**. In the divider **302**, the input signal is divided to two signals. One divided signal is input to the phase shifter **303**, shifted in phase by  $\theta$ , and then supplied to the switching circuit **305**. The other divided signal is input to the phase shifter **304**, shifted in phase by  $\theta$ , and then supplied to the switching circuit **305**. The signals shifted in phases by the phase shifters **303** and **304** are selectively supplied to the divider **301** by the switching circuit **305**.

The input signal to the divider **301** is divided to two signals, and one divided signal is supplied to the power detector **200**.

In the power detector **200**, the amplitude component of the supplied signal is detected and the detected amplitude component is supplied to the LPF **116**.

## 11

In the case of using the three-port MMIC **300**, the same effects as in the case of the five-port MMIC can be obtained.

FIG. **11** is a view of an example of the configuration of the four-port MMIC according to the present invention.

The four-port MMIC **400** comprises, as shown in FIG. **11**, two power detectors **200-1**, **200-2** having, for example, the same structures as FIG. **6**, a received signal RS use input terminal  $T_{IN401}$ , a local signal LS use input terminal  $T_{IN402}$ , switching circuits **401** and **402**, dividers **403** and **404**, and a phase shifter **405**.

In this case, two LPF's **116** and **117** are arranged at a later stage of the four-port MMIC **400**.

Here, the four ports are comprised of the received signal RS use input terminal  $T_{IN401}$ , the local signal LS use input terminal  $T_{IN402}$ , an output port of the divider **403** to the power detector **200-1**, and an output port of the divider **404** to the power detector **200-2**.

In the four-port MMIC **400**, the received signal RS input to the input terminal  $T_{IN401}$  is input to the divider **403** through the high-speed switching circuit **401**. In the divider **403**, the input signal is divided to two signals. One divided signal is supplied to the power detector **200-1**, while the other divided signal is input to the phase shifter **405**.

In the phase shifter **405**, the received signal from the divider **403** is shifted in phase by  $e$ . The signal shifted in phase is input to the divider **404**, where the input signal is divided to two signals. One divided signal is input to the power detector **200-2**, while the other divided signal is supplied to the switching circuit **402**. Alternatively, the local signal input to the input terminal  $T_{IN402}$  is input to the divider **404** through the high-speed switching circuit **402**, and then the local signal is divided to two signals by the divider **404**. One divided signal is input to the power detector **200-2**, while the other divided signal is input to the phase shifter **405**.

In the phase shifter **405**, the local signal from the divider **404** is shifted in phase by  $e$ . The signal shifted in phase is input to the divider **403**, where the input signal is divided to two signals. One divided signal is input to the power detector **200-1**, while the other divided signal is input to the high-speed switching circuit **401**.

In the power detector **200-1**, the amplitude component of the supplied signal is detected, and the detected amplitude component is supplied to the LPF **116**.

In the power detector **200-2**, the amplitude component of the supplied signals is detected, and the detected amplitude component is supplied to the LPF **117**.

In the case of using the four-port MMIC **400**, the same effects as in the case of the five-port MMIC can be obtained.

FIG. **12** is a view of an example of the configuration of the six-port MMIC according to the present invention.

The six-port MMIC **500** comprises, as shown in FIG. **12**, four power detectors **200-1**, **200-2**, **200-3**, and **200-4** having, for example, the same structures as FIG. **6**, a received signal RS use input terminal  $T_{IN501}$ , a local signal LS use input terminal  $T_{IN502}$ , directional couplers **501** and **502**, dividers **503** and **504**, and a phase shifter **505**.

In this case, four LPF's **116**, **117**, **118**, and **119** are arranged at a later stage of the six-port MMIC **500**.

Here, the six ports are comprised of the received signal RS use input terminal  $T_{IN501}$ , the local signal LS use input terminal  $T_{IN502}$ , and output port of the directional coupler **501** to the power detector **200-1**, an output port of the divider **503** to the power detector **200-2**, an output port of the divider **504** to the power detector **200-3**, and an output port of the directional coupler **502** to the power detector **200-4**.

In the six-port MMIC **500**, the received signal RS input to the input terminal  $T_{IN501}$  is input to the power detector **200-1**

## 12

and the divider **503** through the directional circuit **501**. In the divider **503**, the input signal is divided to two signals. One divided signal is supplied to the power detector **200-2**, while the other divided signal is input to the phase shifter **505**.

In the phase shifter **505**, the received signal from the divider **503** is shifted in phase by  $\theta$ . The signal shifted in phase is input to the divider **504**, where the input signal is divided to two signals. One divided signal is input to two power detector **200-3**, while the other divided signal is supplied to the directional coupler **502**.

Alternatively, the local signal input to the input terminal  $T_{IN502}$  is input to the power detector **200-4** and the divider **504** through the directional coupler **502**, and then the local signal is divided to two signals by the divider **504**. One divided signal is input to the power detector **200-2**, while the other divided signal is input to the phase shifter **505**.

In the phase shifter **505**, the local signal from the divider **504** is shifted in phase by  $\theta$ . The signal shifted in phase is input to the divider **503**, where the input signal is divided to two signals. One divided signal is input to the power detector **200-2**, while the other divided signal is input to the directional coupler **501**.

As explained above, the power detector **200-1** receives the received signal RS. In the power detector **200-1**, the amplitude component of the supplied signal is detected, and the detected amplitude component is supplied to the LPF **116**.

The power detector **200-2** receives the received signal and the local signal shifted in phase by  $\theta$ . In the power detector **200-2**, amplitude components of the supplied signals are detected, and the detected amplitude components are supplied to the LPF **117**.

The power detector **200-3** receives the local signal and the received signal shifted in phase by  $e$ . In the power detector **200-3**, amplitude components of the supplied signals are detected, and the detected amplitude components are supplied to the LPF **118**.

The power detector **200-4** receives the local signal LS. In the power detector **200-4**, an amplitude component of the supplied signal is detected, and the detected amplitude component is supplied to the LPF **119**.

In the case of using the six-port MMIC **500**, the same effects as in the case of the five-port MMIC can be obtained.

Further, in the present embodiment, the power detector was explained based on the example of FIG. **6**, however, the present invention is not limited to this. Needless to say the present invention can be applied to other types of power detectors. Below, a few other configurations of the power detector will be explained with reference to FIGS. **13**, **14**, and **15**.

FIG. **13** is a view of another example of the configuration of the power detector according to the present invention.

The point of difference of the power detector **200A** of FIG. **13** from the power detector **200** of FIG. **6** is that the sources of the transistors **Q201** and **Q202** are directly connected to the ground potential GND in place of connecting through the resistor.

The rest of the configuration is the same as that in FIG. **6**. According to this power detector **200A**, in addition to the same effects as in the above power detector **200** of FIG. **6**, a lower power consumption can be realized.

FIG. **14** is a view of another example of the configuration of the power detector according to the present invention.

The point of difference of the power detector **200B** of FIG. **14** from the power detector **200** of FIG. **6** is that a gate width of  $W_{gb}$  of the transistor **Q202** is set smaller than a gate width  $W_{gn}$  of the transistor **Q201**, and a resistance  $R_{db}$  of the drain bias use resistor **R207a** is larger than a resistance  $R_{da}$  of the drain bias use resistor **R206a**.

## 13

Concretely, the ratio  $W_{gn}/W_{gb}$  is set to N, and the resistance Rdb of the resistor R207a is set to N times the resistance Rda of the resistor R206a.

According to the power detector 200B of FIG. 14, in addition to the same effects as in the above power detector 200 of FIG. 6, it is possible to reduce the current consumption to  $(N+1)/(2N)$  times.

FIG. 15 is a view of another example of the configuration of the power detector according to the present invention.

The point of difference of the power detector 200C of FIG. 15 from the power detector 200 of FIG. 6 is that the connection point of sources of the transistors Q201 and Q202 is connected to the ground potential GND by a field effect transistor Q203 serving as a current source in which a gate is supplied with a bias voltage from a gate bias supplying circuit 204 constituted by resistors R209 and R210 connected in series between the power source V201 and the ground potential GND.

According to the power detector 200C of the FIG. 15, the same effects as in the above power detector 200 of FIG. 6 can be obtained.

## INDUSTRIAL APPLICABILITY

As described above, according to the universal platform for the SDR of the present invention, the universal platform employs the direct conversion approach with the n-port MMIC 115 followed by reconfigurable reprogrammable devices such as DSP's or FPGA's. The universal platform is based on the linear operation of the devices. Thus, the DC offset problem may be solved. It is also possible to support very wide bandwidths compared with conventional I/Q receivers. Therefore, the present universal platform is suitable for multimode and multiband communications.

What is claimed is:

1. A universal platform for software defined radio, comprising:

- an n (n being an integer of 3 or more)-port receiver including
  - a first input terminal receiving a received signal,
  - a second input terminal receiving a local signal,
  - a plurality of power detectors for receiving a plurality of input power signals and generating a plurality of power-detected output signals,
  - a directional coupler coupled to the first input terminal and a first power detector of said plurality of power detectors, said directional coupler operating to directionally couple said received signal to said first power detector, said directional coupler generating a first output signal
  - at least first and second dividers said first divider coupled to said directional coupler and a second power detector of said plurality of power detectors and operating to divide the first output signal said first divider generating a second output signal, said second divider coupled to said second input terminal and a third power detector of said plurality of power detectors, and operating to divide the local signal, said second divider generating a third output signal, and
  - a phase shifter coupled to said at least first and second dividers, said phase shifter operating to shift the phase of said second output signal or the phase of said third output signal; and
  - a converter for converting the power-detected output signals of said plurality of power detectors to a plurality of signal components included in the received signal or the local signal.

## 14

2. A universal platform for software defined radio as set forth in claim 1, wherein the power detector comprises:

- a first field effect transistor receiving one of said plurality of input power signals at its gate,
- a second field effect transistor with a source connected to a source of the first field effect transistor,
- a first gate bias supplying circuit for supplying a gate bias voltage to the gate of the first field effect transistor,
- a second gate bias supplying circuit for supplying a gate bias voltage to a gate of the second field effect transistor,
- a current source connected to the sources of the first field effect transistor and the second field effect transistor,
- a drain bias supplying circuit for supplying a drain bias voltage to the drains of the first field effect transistor and the second field effect transistor,
- a first capacitor connected between the drain of the first field effect transistor and a reference potential, and
- a second capacitor connected between the drain of the second field effect transistor and the reference potential, and

the voltage difference between a first drain voltage at the drain of the first field effect transistor and a second drain voltage at the drain of the second field effect transistor is processed as a detection output.

3. A universal platform for software defined radio as set forth in claim 2, wherein

- the first field effect transistor and the second field effect transistor have substantially equivalent characteristics,
- the drain bias supplying circuit includes a first drain bias use resistance element connected between the drain of the first field effect transistor and a voltage source and a second drain bias use resistance element connected between the drain of the second field effect transistor and a voltage source,
- a resistance of the first drain bias use resistance element and a resistance of the second drain bias use resistance element are set to substantially equivalent values, and
- a capacitance of the first capacitor and a capacitance of the second capacitor are set to substantially equivalent values.

4. A universal platform for software defined radio as set forth in claim 2, wherein

- when a gate width of the first field effect transistor is  $W_{ga}$  and a gate width of the second field effect transistor is  $W_{gb}$ , the ratio  $W_{ga}/W_{gb}$  is set to N,

the drain bias supplying circuit includes a first drain bias use resistance element connected between the drain of the first field effect transistor and a voltage source and a second drain bias use resistance element connected between the drain of the second field effect transistor and a voltage source,

- a resistance Ra of the first drain bias use resistance element and a resistance of the second drain bias use resistance Rb element are set so as to satisfy the condition  $Ra/Rb=1/N$ , and
- a capacitance of the first capacitor and a capacitance of the second capacitor are set to substantially equivalent values.

5. A universal platform for software defined radio as set forth in claim 1, wherein the power detector comprises;

- a first field effect transistor receiving the input signal at its gate and with a source connected to a reference potential;

15

a second field effect transistor with a source connected to the reference potential;  
 a first gate bias supplying circuit for supplying a gate bias voltage to the gate of the first field effect transistor;  
 a second gate bias supplying circuit for supplying a gate bias voltage to a gate of the second field effect transistor;  
 a drain bias supplying circuit for supplying a drain bias voltage to the drains of the first field effect transistor and the second field effect transistor;  
 a first capacitor connected between the drain of the first field effect transistor and a reference potential; and  
 a second capacitor connected between the drain of the second field effect transistor and the reference potential, wherein the voltage difference between a first drain voltage at the drain of the first field effect transistor and a second drain voltage at the drain of the second field effect transistor is processed as a detection output.

6. A universal platform for software defined radio as set forth in claim 2, wherein the first field effect transistor and the second field effect transistor have substantially equivalent characteristics.

7. A universal platform for software defined radio as set forth in claim 2, wherein the drain bias supplying circuit includes a first drain bias use resistance element connected between the drain of the first field effect transistor and a voltage source and a second drain bias use resistance element connected between the drain of the second field effect transistor and a voltage source.

8. A universal platform for software defined radio as set forth in claim 2, wherein a resistance of the first drain bias use resistance element and a resistance of the second drain bias use resistance element are set to substantially equivalent values.

9. A universal platform for software defined radio as set forth in claim 2, wherein a capacitance of the first capacitor and a capacitance of the second capacitor are set to substantially equivalent values.

10. A universal platform for software defined radio as set forth in claim 2, wherein when a gate width of the first field effect transistor is  $W_{ga}$  and a gate width of the second field effect transistor is  $W_{gb}$ , the ratio  $W_{ga}/W_{gb}$  is set to N.

11. A universal platform for software defined radio as set forth in claim 2, wherein the drain bias supplying circuit includes a first drain bias use resistance element connected between the drain of the first field effect transistor and a voltage source and a second drain bias use resistance element connected between the drain of the second field effect transistor and a voltage source.

12. A universal platform for software defined radio as set forth in claim 2, wherein a resistance Ra of the first drain bias use resistance element and a resistance of the second drain bias use resistance Rb element are set so as to satisfy the condition  $Ra/Rb=1/N$ .

13. A universal platform for software defined radio as set forth in claim 2, wherein a capacitance of the first capacitor and a capacitance of the second capacitor are set to substantially equivalent values.

14. A universal platform for software defined radio, comprising:

an n (n being an integer of 3 or more)-port receiver including:  
 a first input terminal receiving a received signal,  
 a second input terminal receiving a local signal,  
 a plurality of power detectors for receiving a plurality of input power signals and generating a plurality of analog power-detected output signals

16

a directional coupler coupled to the first input terminal and a first power detector of said plurality of power detectors said directional coupler operating to directionally couple said received signal to said first power detector, said directional coupler generating a first output signal,

at least first and second dividers, said first divider coupled to said directional coupler and a second power detector of said plurality of power detectors, and operating to divide the first output signal, said first divider generating a second output signal, said second divider coupled to said second input terminal and a third power detector of said plurality of power detectors, and operating to divide the local signal, said second divider generating a third output signal, and

a phase shifter coupled to said at least first and second dividers, said phase shifter operating to shift the phase of said second output signal or the phase of said third output signal;

at least one analog-to-digital (A/D) converter for converting the output analog power-detected output signal from a corresponding power detector to a digital signal; and

a digital signal processing part for converting the power-detected output signal of the power detector through the A/D converter to a plurality of signal components included in the received signal or the local signal.

15. A universal platform for software defined radio as set forth in claim 14, wherein the digital signal processing part compensates for the non-linearity of the power detector.

16. A universal platform for software defined radio as set forth in claim 14, wherein:

the power detector comprises:

a first field effect transistor receiving one of said plurality of input power signals at its gate,

a second field effect transistor with a source connected to a source of the first field effect transistor,

a first gate bias supplying circuit for supplying a gate bias voltage to the gate of the first field effect transistor,

a second gate bias supplying circuit for supplying a gate bias voltage to a gate of the second field effect transistor,

a current source connected to the sources of the first field effect transistor and the second field effect transistor,

a drain bias supplying circuit for supplying a drain bias voltage to the drains of the first field effect transistor and the second field effect transistor,

a first capacitor connected between the drain of the first field effect transistor and a reference potential, and

a second capacitor connected between the drain of the second field effect transistor and the reference potential, and

the voltage difference between a first drain voltage at the drain of the first field effect transistor and a second drain voltage at the drain of the second field effect transistor is processed as a detection output.

17. A universal platform for software defined radio as set forth in claim 16, wherein:

the first field effect transistor and the second field effect transistor have substantially equivalent characteristics, the drain bias supplying circuit includes a first drain bias use resistance element connected between the drain of the first field effect transistor and a voltage source and a second drain bias use resistance element connected

between the drain of the second field effect transistor and a voltage source,

a resistance of the first drain bias use resistance element and a resistance of the second drain bias use resistance element are set to substantially equivalent values, and

a capacitance of the first capacitor and a capacitance of the second capacitor are set to substantially equivalent values.

18. A universal platform for software defined radio as set forth in claim 16, wherein:

when a gate width of the first field effect transistor is  $W_{ga}$  and a gate width of the second field effect transistor is  $W_{gb}$ , the ratio  $W_{ga}/W_{gb}$  is set to N,

the drain bias supplying circuit includes a first drain bias use resistance element connected between the drain of the first field effect transistor and a voltage source and a second drain bias use resistance element connected between the drain of the second field effect transistor and a voltage source,

a resistance Ra of the first drain bias use resistance element and a resistance of the second drain bias use resistance Rb element are set so as to satisfy the condition  $Ra/Rb=1/N$ , and

a capacitance of the first capacitor and a capacitance of the second capacitor are set to substantially equivalent values.

19. A universal platform for software defined radio as set forth in claim 16, wherein the first field effect transistor and the second field effect transistor have substantially equivalent characteristics.

20. A universal platform for software defined radio as set forth in claim 16, wherein the drain bias supplying circuit includes a first drain bias use resistance element connected between the drain of the first field effect transistor and a voltage source and a second drain bias use resistance element connected between the drain of the second field effect transistor and a voltage source.

21. A universal platform for software defined radio as set forth in claim 16, wherein a resistance of the first drain bias use resistance element and a resistance of the second drain bias use resistance element are set to substantially equivalent values.

22. A universal platform for software defined radio as set forth in claim 16, wherein a capacitance of the first capacitor and a capacitance of the second capacitor are set to substantially equivalent values.

23. A universal platform for software defined radio as set forth in claim 16, wherein when a gate width of the first field effect transistor is  $W_{ga}$  and a gate width of the second field effect transistor is  $W_{gb}$ , the ratio  $W_{ga}/W_{gb}$  is set to N.

24. A universal platform for software defined radio as set forth in claim 16, wherein the drain bias supplying circuit includes a first drain bias use resistance element connected between the drain of the first field effect transistor and a voltage source and a second drain bias use resistance element connected between the drain of the second field effect transistor and a voltage source.

25. A universal platform for software defined radio as set forth in claim 16, wherein a resistance Ra of the first drain bias use resistance element and a resistance of the second drain bias use resistance Rb element are set so as to satisfy the condition  $Ra/Rb=1/N$ .

26. A universal platform for software defined radio as set forth in claim 16, wherein a capacitance of the first capacitor and a capacitance of the second capacitor are set to substantially equivalent values.

27. A universal platform for software defined radio as set forth in claim 14, wherein the power detector comprises:

- a first field effect transistor receiving the input signal at its gate and with a source connected to a reference potential;
- a second field effect transistor with a source connected to the reference potential;
- a first gate bias supplying circuit for supplying a gate bias voltage to the gate of the first field effect transistor;
- a second gate bias supplying circuit for supplying a gate bias voltage to a gate of the second field effect transistor;
- a drain bias supplying circuit for supplying a drain bias voltage to the drains of the first field effect transistor and the second field effect transistor;
- a first capacitor connected between the drain of the first field effect transistor and a reference potential; and
- a second capacitor connected between the drain of the second field effect transistor and the reference potential, wherein the voltage difference between a first drain voltage at the drain of the first field effect transistor and a second drain voltage at the drain of the second field effect transistor is processed as a detection output.

\* \* \* \* \*